

Installation instructions for PZ4AL- 01566- 00

Lexus LS 460 AWD, Lexus LS 460 L AWD, Lexus LS 600H L

Under Run Protective Shield engine bay



Model Year:	LS 460 AWD-2009/2006	LS 460 L AWD-2009/2006	LS 600H L-2009/2006
-------------	----------------------	------------------------	---------------------

Vehicle Code:	USF45L-AEZGHW	USF46L-AEZGHW	UVF46L-AEXGHW
---------------	---------------	---------------	---------------

Part Number:	PZ4AL-01566-00	PZ4AL-01566-00	PZ4AL-01566-00
--------------	----------------	----------------	----------------



Weight:	13,63 kg	13,63 kg	13,63 kg
---------	----------	----------	----------

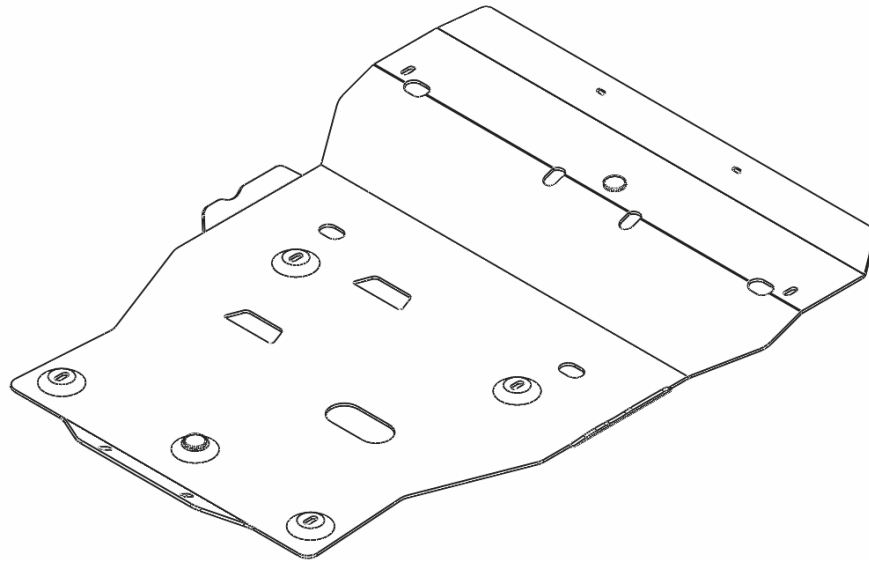


Installation Time:	20 min	20 min	20 min
--------------------	--------	--------	--------

Manual reference number:	AIM 001 633-0	AIM 001 633-0	AIM 001 633-0
--------------------------	---------------	---------------	---------------

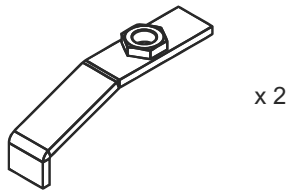
Part number: PZ4AL-01566-00

A

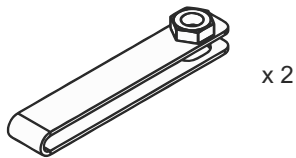


PZ4AL-01566-60

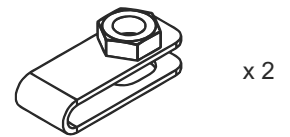
B



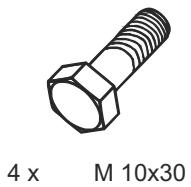
C



D



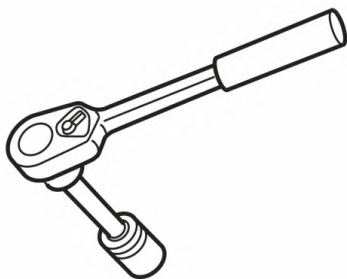
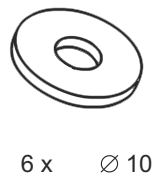
E

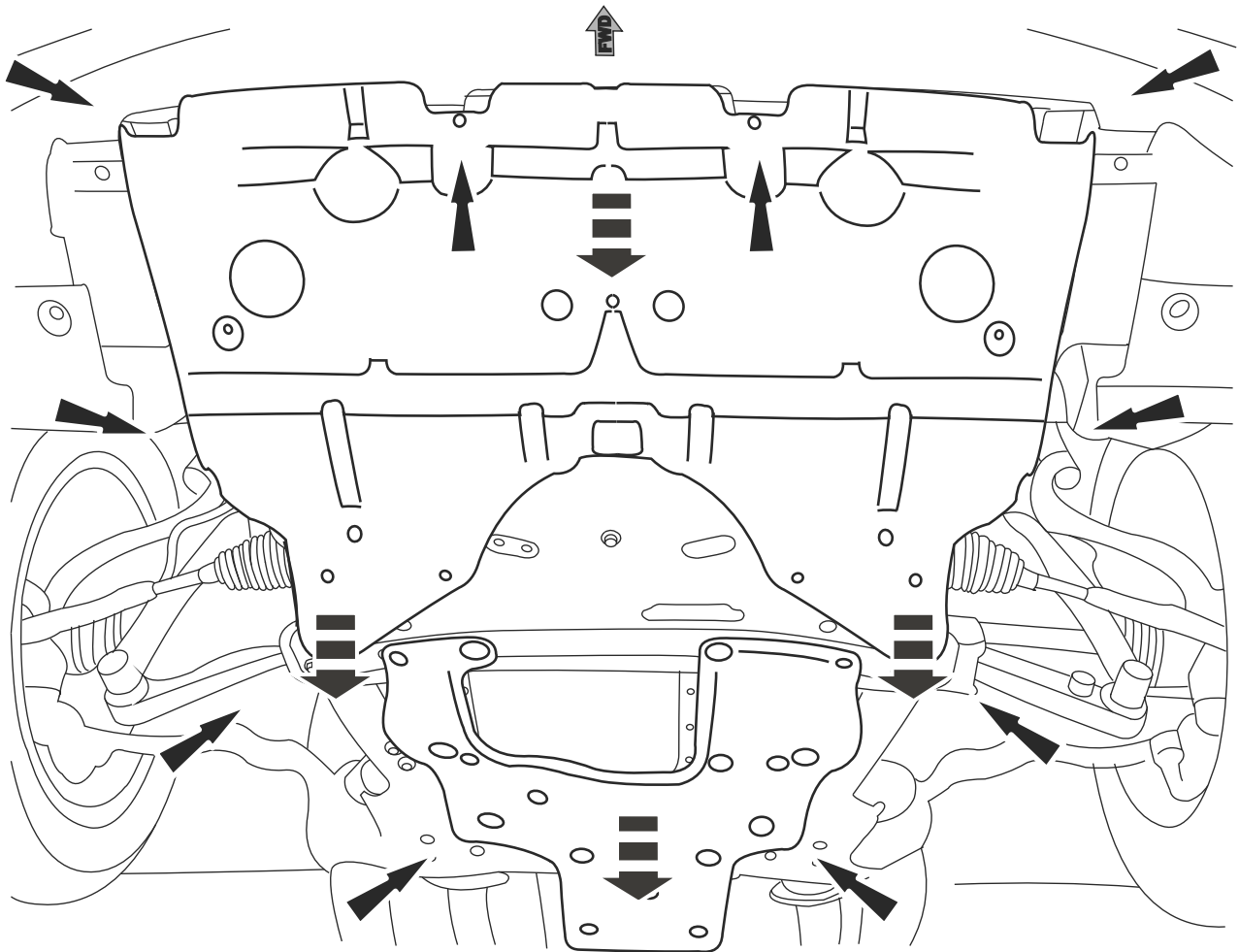
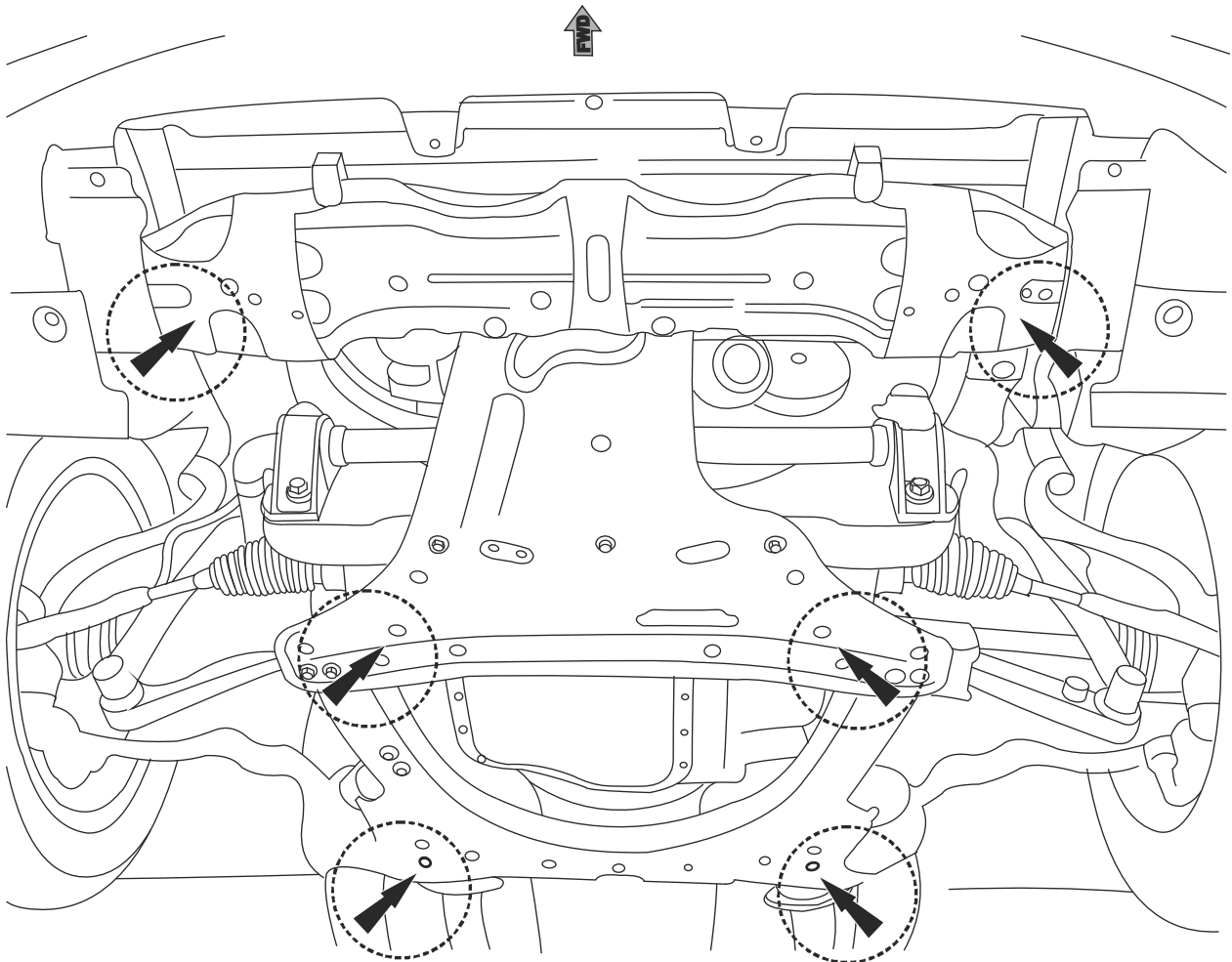


F

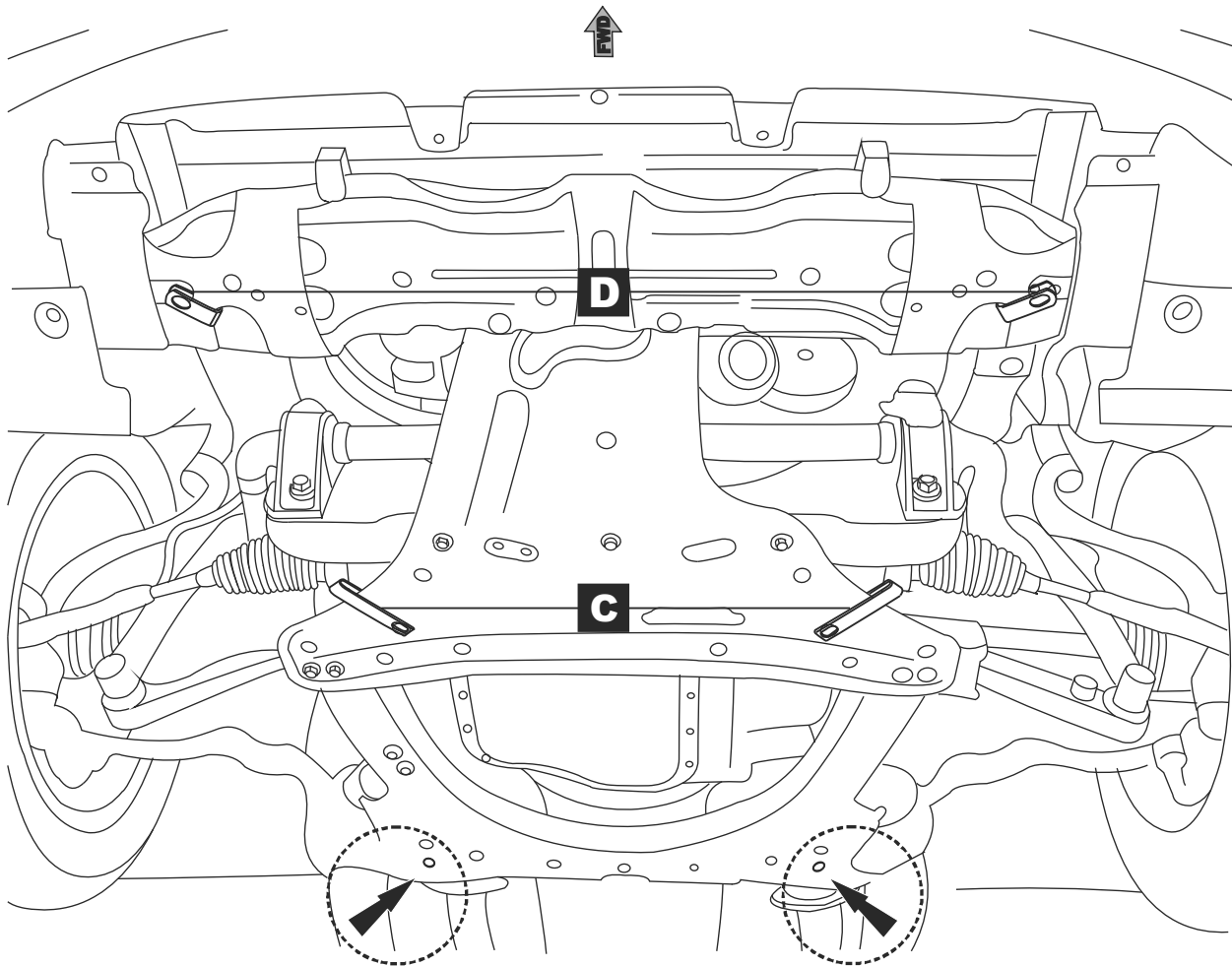


G

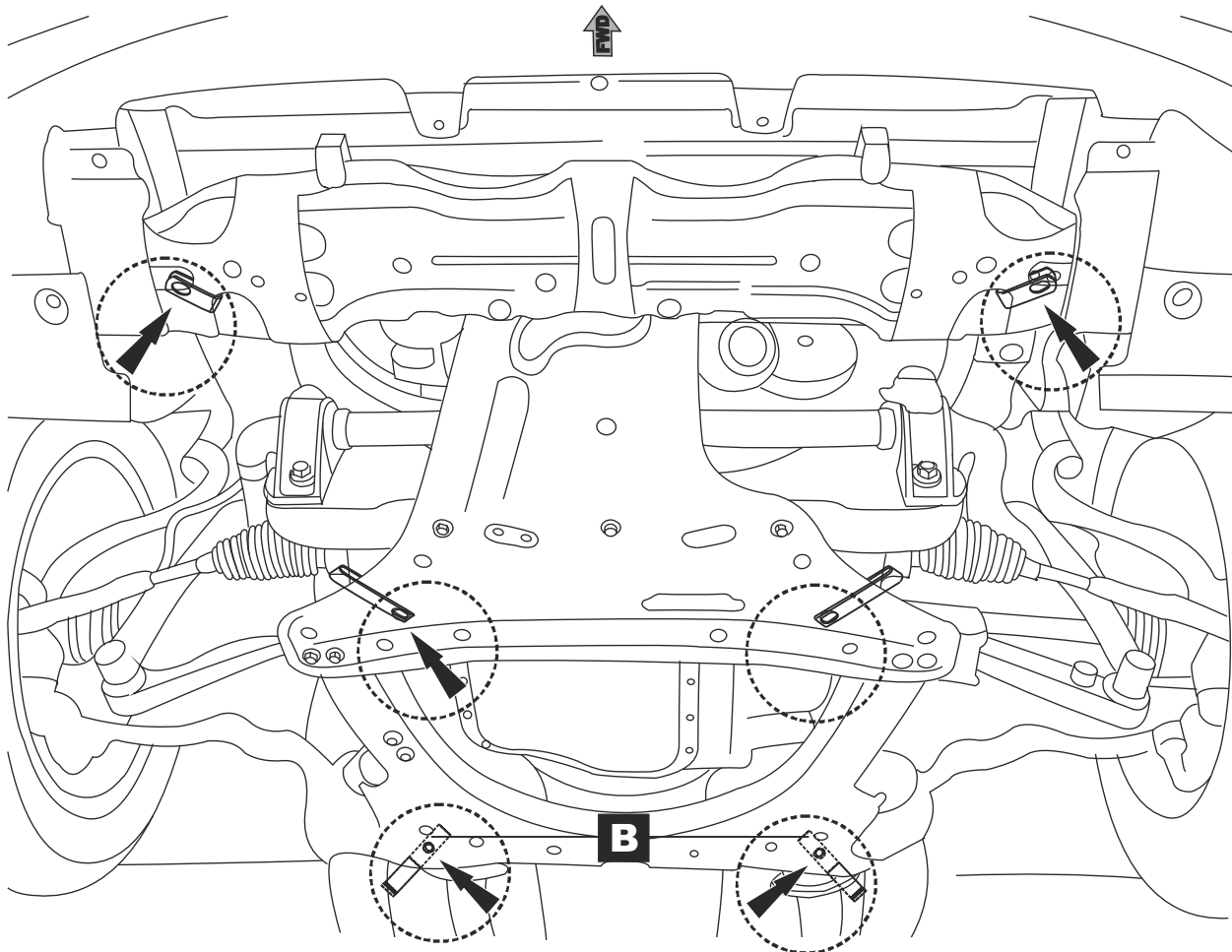


1**2**

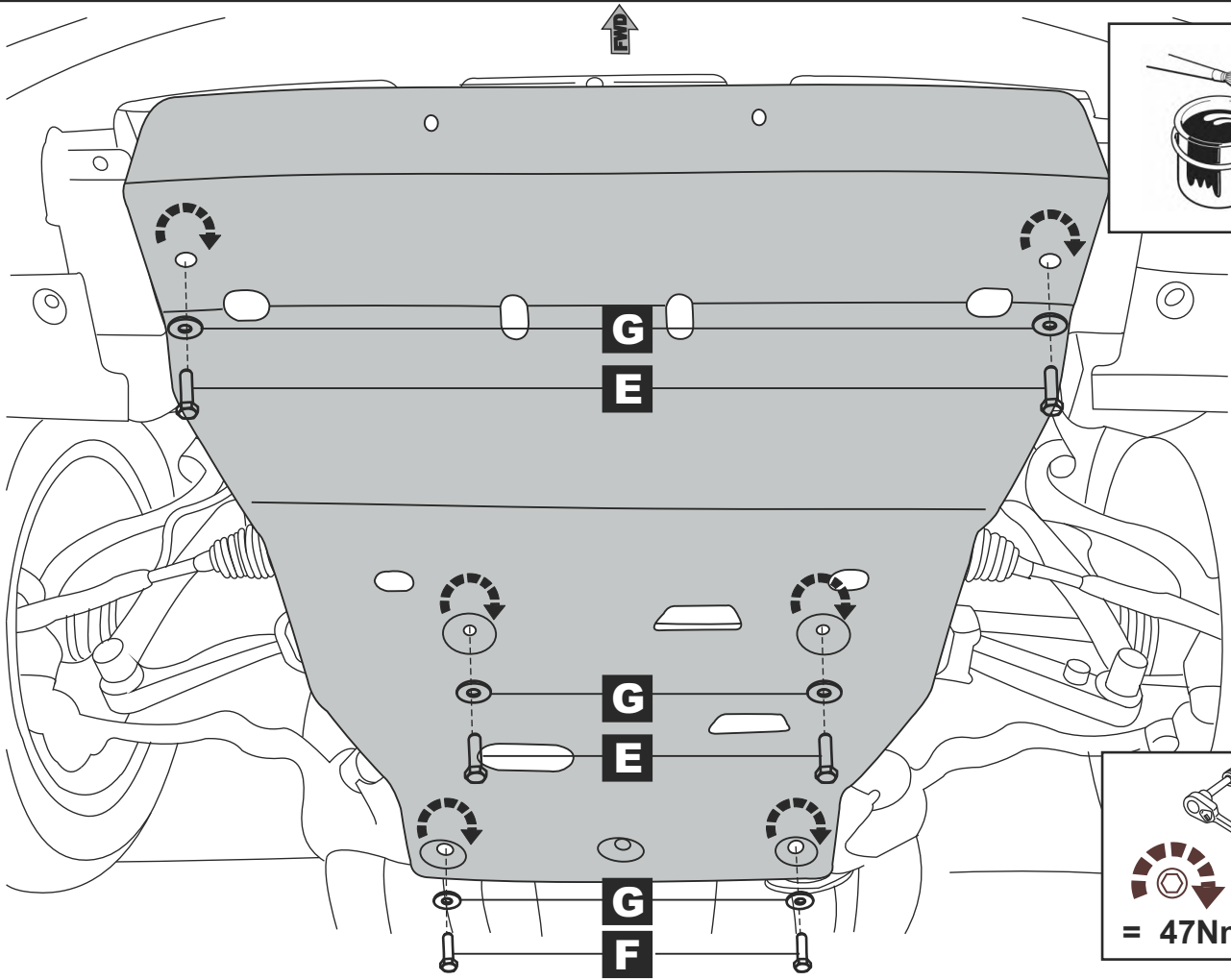
3



4



5



6

